

# Stadium

## LED Floodlight 150W / 4000 K / 18000 lm

Stadium floodlight combines performance and high quality LED modules with a straightforward yet elegant design, providing high performance features to adequately and ideally cover all areas. Stadium floodlight is designed to bright large indoor and outdoor spaces with high intensity, wide-area coverage, and low energy consumption.



### Product data

#### General information

Dimensions (mm)	420 (L) x 333 (W) x 51 (H)
Materials	Body: Powdercoated Aluminium Diffuser: Glass
Finish	Gray (RAL 9004)
Product Weight (Kg)	3.52 Kg ± 30g
Ingress Protection	IP65
Impact Rating (IK)	06
Article no.	PECLST4K6D150

#### Supply & power information

Input Voltage & Frequency (V~ / Hz)	220-240V - 50/60 Hz
Safety Class	I
Circuit Wattage (W)	150
LED Wattage (W)	150
Input Current (mA)	0.72 mA
Inrush Current/Time	100A (500µS)
Power Factor	>0.9
Operating Temperature (°C)	-20°C to +45°C
Critical Temperature (°C)	+60
Input Mains Cable	3 x 1mm <sup>2</sup> H05-RNF (2 metre)

#### Dimming Information

Dimmable	No
Dimming Format	Non-Dimmable

#### Certificates & Standards

Standards	CE, Cmic, Rohs,
-----------	-----------------

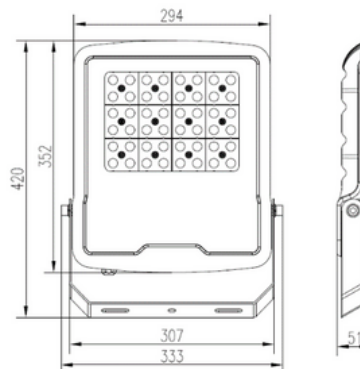
#### Luminaire Output

Colour Temperature (K)	4000K
Luminous flux	18000 lm
Efficacy (lm/W)	120 lm/W ±10%
Colour Render Index (CRI)	≥80
Beam Angle (°)	60°
LED Lifetime (Hours)	50,000 H

#### Dimensions & Weight

Length	420 mm
Width	333 mm
Height	51 mm
Product Weight	3.52 Kg ± 30g
Cable Length	50,000

#### Dimensional drawing



LED Floodlight Stadium 150W / 4000 K / 18000 lm