

Lumen

PRO Series

LED Panel 595 x 595mm 40W / 5000K / 4000 lm

Introducing "Lumen", our LED panel created to illuminate your life. Due to its efficiency, Lumen outperforms the best panels currently available. Utilize Lumen's efficiency, quality, and simple installation to maximize the performance of your projects.



Product data

General Information

Dimensions	595mm (W) x 595mm (W) x 33mm (D)
Materials	Frame: Powdercoated Aluminium
	Diffuser: Polystyrene
	Back Cover: Powdercoated Steel
Finish	White (RAL 9016)
Product Weight	1.8Kg
Dimmable	No
Ingress Protection	IP20
IK rating	IK06
Article no.	PECL-LUMENPRO5K40

Supply & Power

Input Voltage & Frequency	AC 220-240V~ 50/60Hz
Electrical Safety	Class II (Double Insulated)
Circuit Wattage	40 W
Input Current	125mA
In-rush Current	<30A(Twidth=120us measured at 50% Ipeak) @ 230Vac
Power Factor	>0.9
Ambient Temperature (Ta)	-20°C - +40°C
Critical Temperature	+75°C
LED Driver	Philips driver
Input Terminations	Push-fit Terminals

Luminaire Output

Colour Temperature	5000K
CRI	>80
Typical Luminous Flux	4000 lm
Efficacy	100lm/W
Beam Angle	120°
LED Lifetime (L70)	≥50,000 Hours
Flicker Free	Yes

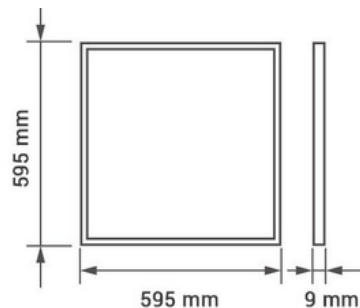
Certificates & Standards

Certificates	TUV-GS, TUV-CE, TUV-CB, ERP, ROHS, ENEC, SAA, C-TICK
Safety Standards	EN 60598-1; EN 60598-2-2
EMC	EN 55015; EN 61000-3-2; EN 61000-3-3; EN 61547,etc.

Additional Information

Suspension hooks pre-fitted to the back

Dimensional drawing



LUMEN LED PANEL 595 X 595MM 40W / 5000K / 4000 LM